

18' x 22' (5.4 x 6.6m) Pavilion

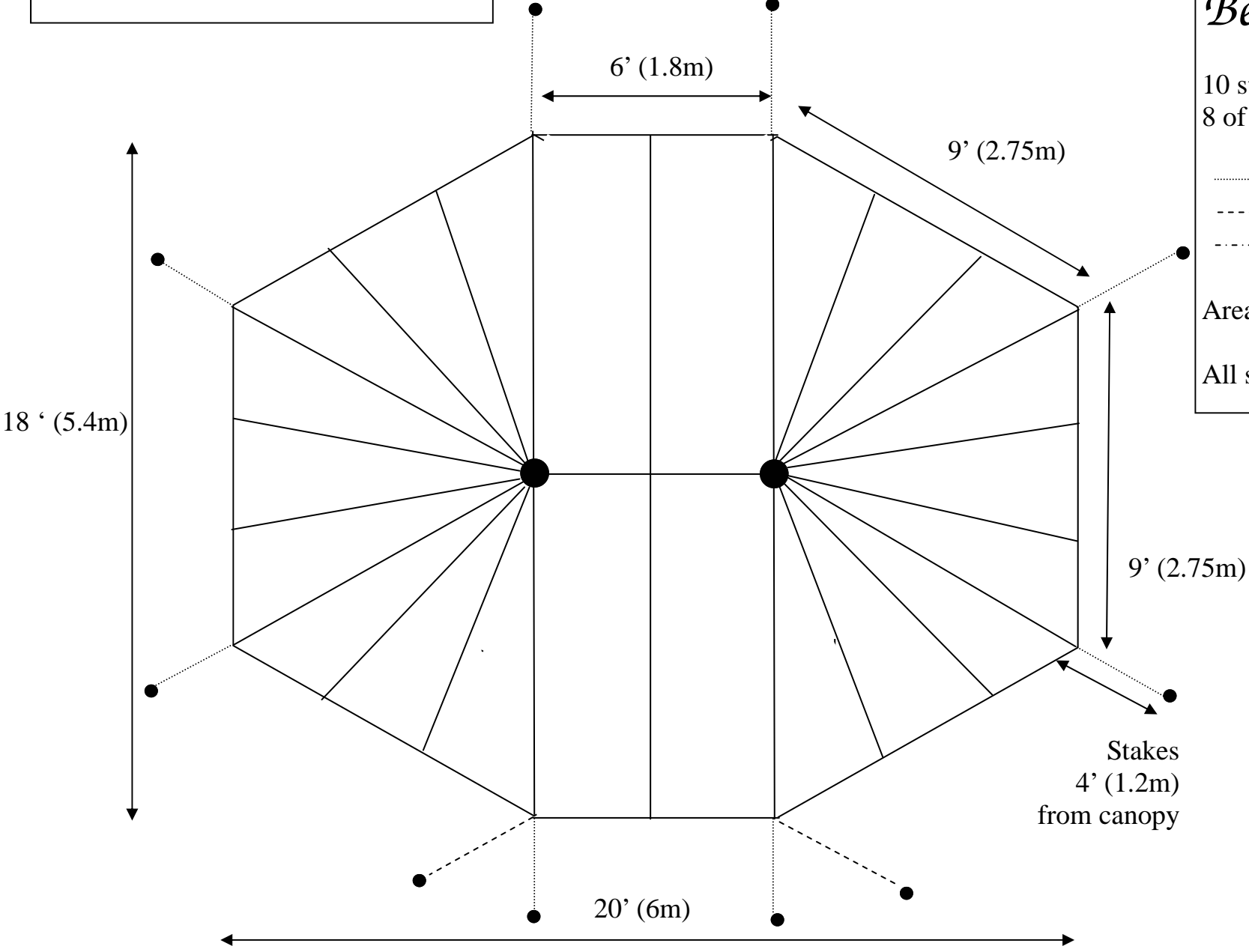
Belle Tents

10 stakes
8 of 6' (1.8m) side poles

- Guy ropes
- Stabilizer ropes
- - - - - Seam ropes

Area: 320 ft² (30m²)

All sizes approximate



18' x 22' (5.4 x 6.6m) Pavilion
Tent with 6' x 5' (1.8 x 1.5m)
entrance awning

Belle Tents

12 stakes
8 of 6' (1.8m) side poles

..... Guy ropes
----- Stabilizer ropes

Area: 320 ft² (30m²)

All sizes approximate

